

Ecophon Square 43™

Ecophon Square 43™ is a fully integrated recessed luminaire available for edge™ Dg, Ds, E and Ez, developed for Ecophon ceilings with Akutex™ FT surface. A luminaire designed to achieve an exciting lighting effect, suitable for a number of room types. The newly updated modern LED lightsource is of high quality with high efficiency and long lifespan of over 50.000 hours (L90). The luminaire is specifically developed to fit Connect™ range of profiles.

system is patented and has a design registration (Registered Community Design). The available ballasts are available in 3 different variants; standard (on/off), dimmable or with 1 hour emergency function (on/off). The dimmable ballast is ready for SwitchDIM, DALI, DSI and has a corridor function.

Ecophon Square 43™ consists of a luminaire housing, a ballast and a matt opal satiné louvre integrated in an Ecophon Focus™ tile. Each luminaire weighs approximately 3,3 kg (excl. ballast and tile). The



Ecophon Office Germany, Lübeck, Germany

SYSTEM RANGE



Size, mm	600x600	600x600
T24	•	•
Thickness (THK)	20	40
Inst. Diag.	M327, M328	M328



Ecophon Square LED Dg tile



Ecophon Square LED Dg section



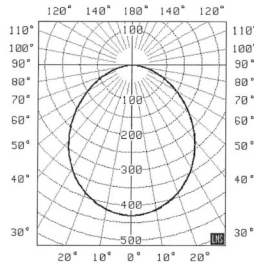
Ecophon Focus Dg system with Ecophon Square LED.



Ecophon Square LED Dg luminaire.



Lighting performance



System effect: 40,7 W
 Light source: LED 37 W
 Luminous flux: 3307 lm
 Light efficiency: 81 lm/W
 Colour temperature: 4000K
 Color rendering index: > 80 Ra
 Colour tolerance: 3 MacAdam SDCM
 Light output ratio (LOR): 100%
 Light distribution up/down: 0/100
 Expected lifespan: L90 >50000 h
 Expected lifespan: L70 >100000 h



Electrical data

220-240 V, 50-60 Hz, power factor $\cos \phi > 0,98$. Electronic HF ballast or electronic HF dim ballast for digital regulation. Light source: 2 led modules of 37W total. Also available as emergency light, with a battery pack for one hour.



Connection

The standard on/off electronic HF ballast delivered with 2,5 meters of cable 2,5 metres of cable 2x0,75 mm² and Euro plugg. The SwitchDIM/DALI and emergency electronic HF ballast delivered without cable. Emergency ballast with 1 hour battery pack.



Electrical approvals

IP23, Class 1.



Visual appearance

Tile surface finish; White Frost, nearest NCS colour sample S 0500-N, 85% light reflectance. Gloss < 1.



Cleanability

Daily dusting and vacuum cleaning. Weekly wet wiping.



Accessibility

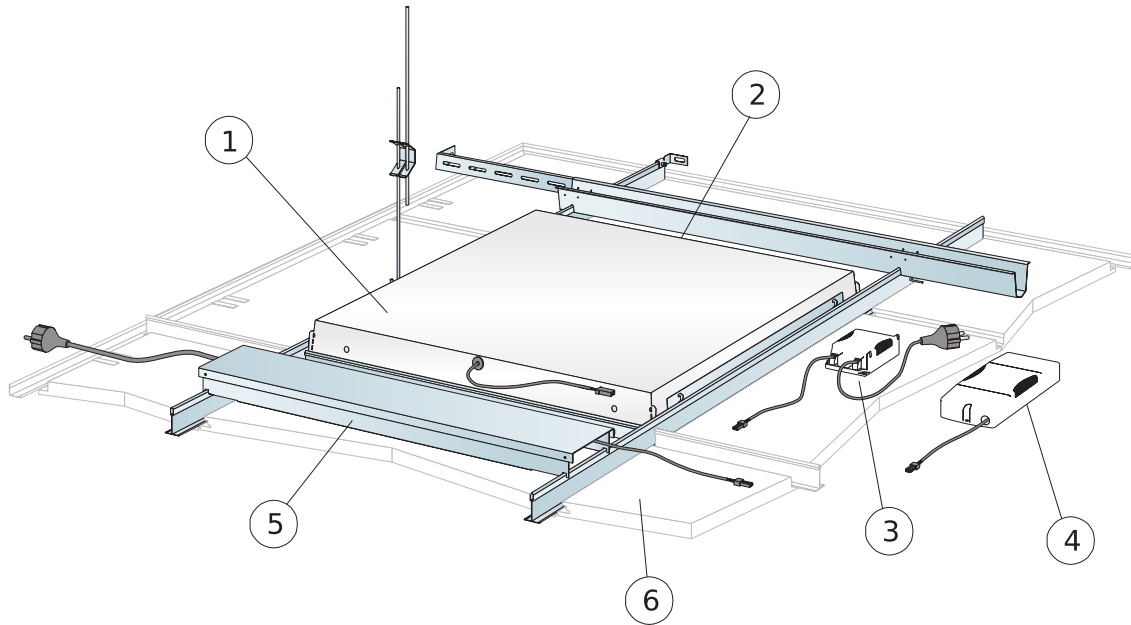
The tiles are easily demountable. Minimum demounting depth according to installation diagrams.



Installation

Installed according to system range which include information regarding minimum overall depth of system. The luminaire housing rests on the T-profiles and the SwitchDIM/DALI and standard on/off ballasts are fastened to the grid or tile with velcro. The tile in which the louvre is integrated is installed as an ordinary ceiling tile. Once the luminaire, ballast and tile are in place a certified installation electrician must connect the wiring to sockets or to the next luminaire.

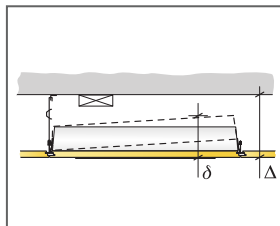
INSTALLATION DIAGRAM (M327) FOR ECOPHON SQUARE 43 LED DS



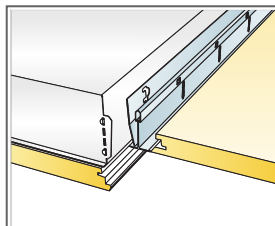
© Ecophon Group

QUANTITY SPECIFICATION (EXCL. WASTAGE)

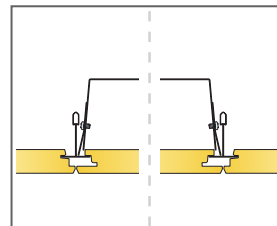
	Size, mm
	600x600
1 Ecophon Square 43 LED Ds panel	1/luminaire
2 Ecophon Dot/Square LED housing	1/luminaire
3 Ecophon Dot/Square standard On/Off Ballast (Alt.1)	1/luminaire
4 Ecophon Dot/Square SwitchDIM/DAI Ballast (Alt.2)	1/luminaire
5 Ecophon Dot/Square emergency Ballast, un-switched line (Alt.3)	1/luminaire
6 Focus Ds (adjacent ceiling)	as required
Δ Min. overall depth of system: 90 mm	-
δ Min. demounting depth: 120 mm	-
When selecting standard on/off or emergency ballast, connect only to a toggle power switch. When using the SwitchDIM/DAI ballast connecting the SwitchDIM function, use a spring loaded power switch.	-
When selecting the SwitchDIM/DAI ballast utilizing the DAI function, connect only to a DAI compatible controller.	-



See Quantity specification

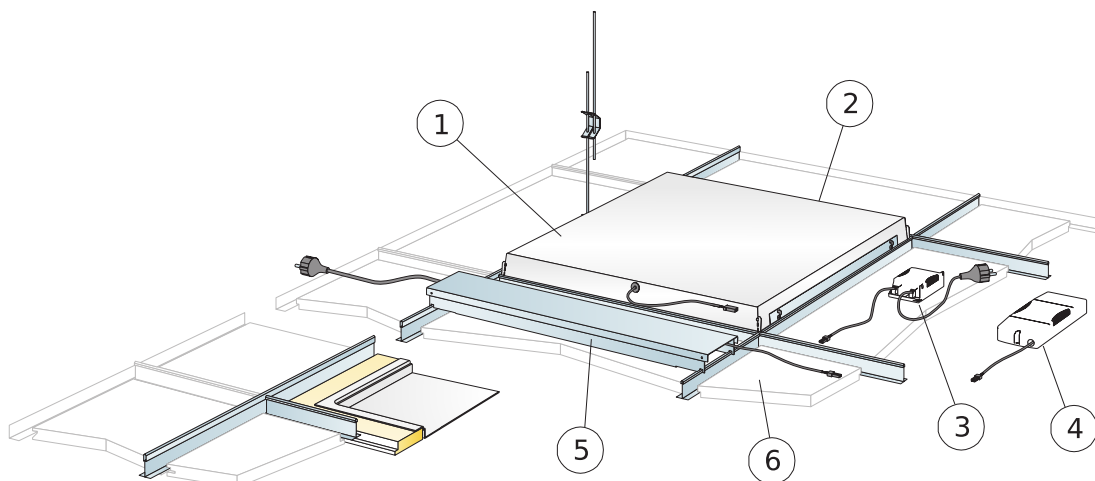


Square Ds luminaire house resting on main runner



Edge Ds: Luminaire brackets rests on the T-profiles and are mounted in the lower slot.

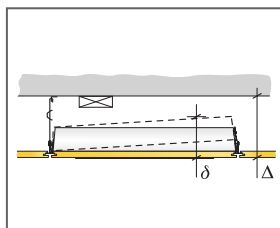
INSTALLATION DIAGRAM (M328) FOR ECOPHON SQUARE 43 LED DG AND E



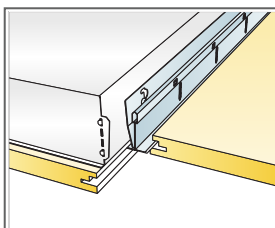
© Ecophon Group

QUANTITY SPECIFICATION (EXCL. WASTAGE)

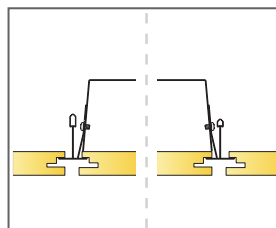
	Size, mm	
	600x600	600x600
1 Ecophon Square 43 LED Dg, E or Ez T24 panel	1/luminaire	1/luminaire
2 Ecophon Dot/Square LED housing	1/luminaire	1/luminaire
3 Ecophon Dot/Square standard On/Off Ballast (Alt.1)	1/luminaire	1/luminaire
4 Ecophon Dot/Square SwitchDIM/DALI Ballast (Alt.2)	1/luminaire	1/luminaire
5 Ecophon Dot/Square emergency Ballast, un-switched line (Alt.3)	1/luminaire	1/luminaire
6 Focus Dg, E or Ez T24 [adjacent ceiling]	as required	as required
Δ Min. overall depth of system: 90 mm	-	-
δ Min. demounting depth: 120 mm	-	-
When selecting standard on/off or emergency ballast, connect only to a toggle power switch. When using the SwitchDIM/DALI ballast connecting the SwitchDIM function, use a spring loaded power switch.	-	-
When selecting the SwitchDIM/DALI ballast utilizing the DALI function, connect only to a DALI compatible controller.	-	-



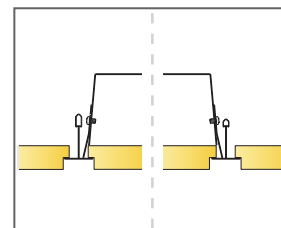
See Quantity specification



Square Dg luminaire house resting on main runner



Edge Dg: Luminaire brackets rests on the T-profiles and are mounted in the lower slot.



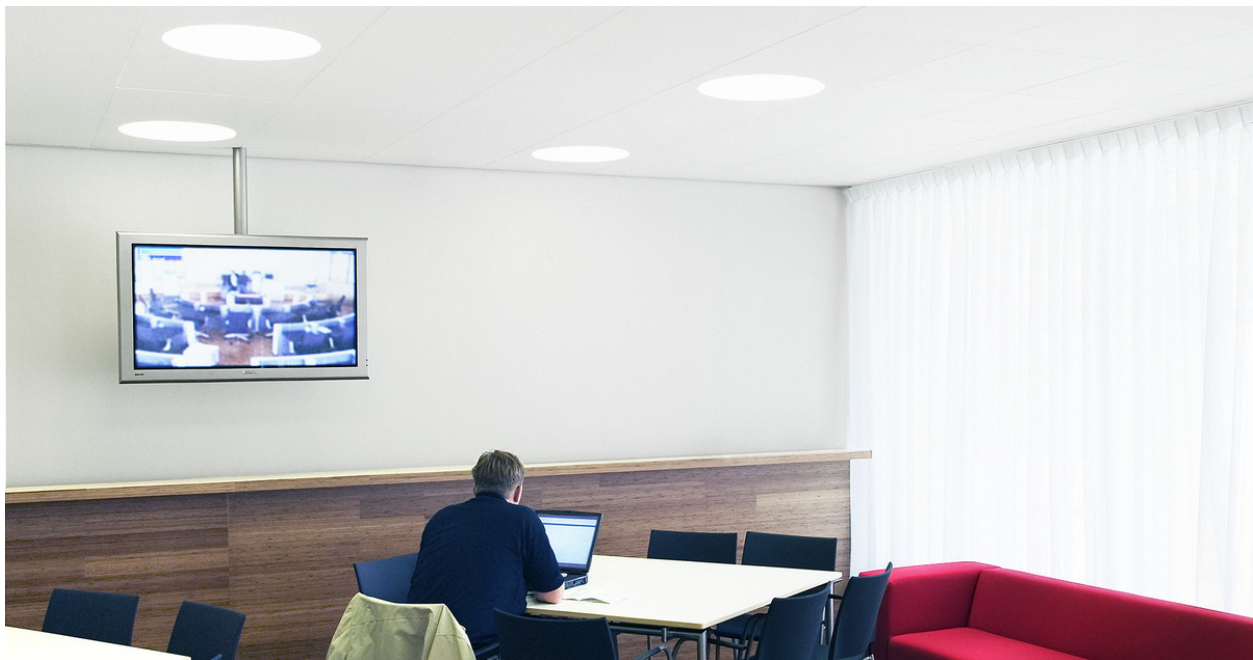
Edge E: Luminaire brackets rests on the T-profiles and are mounted in the middle slot.

Ecophon Dot™

Ecophon Dot™ is a fully integrated recessed luminaire available for edge™ Dg, Ds, E and Ez, developed for Ecophon ceilings with Akutex™ FT surface. A luminaire designed to achieve an exciting lighting effect, suitable for a number of room types. The newly updated modern LED lightsource is of high quality with high efficiency and long lifespan of over 50.000 hours (L90). The luminaire is specifically developed to fit Connect™ range of profiles.

Ecophon Dot™ consists of a luminaire housing, a ballast and a matt opal satiné louvre integrated in an Ecophon Focus™ tile. Each luminaire weighs approximately 3,3 kg (excl. ballast and tile). The

system is patented and has a design registration (Registered Community Design). The available ballasts are available in 3 different variants; standard (on/off), dimmable or with 1 hour emergency function (on/off). The dimmable ballast is ready for SwitchDIM, DALI, DSI and has a corridor function.



Zoetermeer, City Hall of Zoetermeer, Netherlands

SYSTEM RANGE



Size, mm	600x600	600x600
T24	•	•
Thickness (THK)	20	40
Inst. Diagr.	M325, M326	M326



Ecophon Dot LED Ds tile



Ecophon Dot LED Ds section



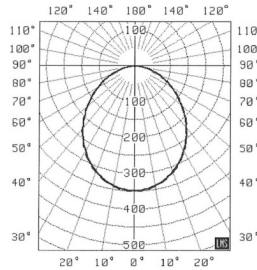
Ecophon Focus Ds system with Ecophon Dot LED.



Ecophon Dot LED Ds luminaire.



Lighting performance



System effect: 40,7 W
 Light source: LED 41 W
 Luminous flux: 2610 lm
 Light efficiency: 64 lm/W
 Colour temperature: 4000K
 Color rendering index: Ra >80
 Colour tolerance: MacAdam 3 SDCM
 Light output ratio (LOR): 100%
 Light distribution up/down: 0/100
 Expected lifespan: L90 >50000 h
 Expected lifespan: L70 >100000 h



Electrical data

220-240 V, 50-60 Hz, power factor $\cos \phi > 0,98$. Electronic HF ballast or electronic HF dim ballast for digital regulation. Light source: 2 led modules of 37W total. Also available as emergency light, with a battery pack for one hour.



Connection

The standard on/off electronic HF ballast delivered with 2,5 meters of cable 2,5 metres of cable 2x0,75 mm² and Euro plugg. The SwitchDIM/DALI and emergency electronic HF ballast delivered without cable. Emergency ballast with 1 hour battery pack.



Electrical approvals

IP23, Class 1.



Visual appearance

Tile surface finish; White Frost, nearest NCS colour sample S 0500-N, 85% light reflectance. Gloss < 1.



Cleanability

Daily dusting and vacuum cleaning. Weekly wet wiping.



Accessibility

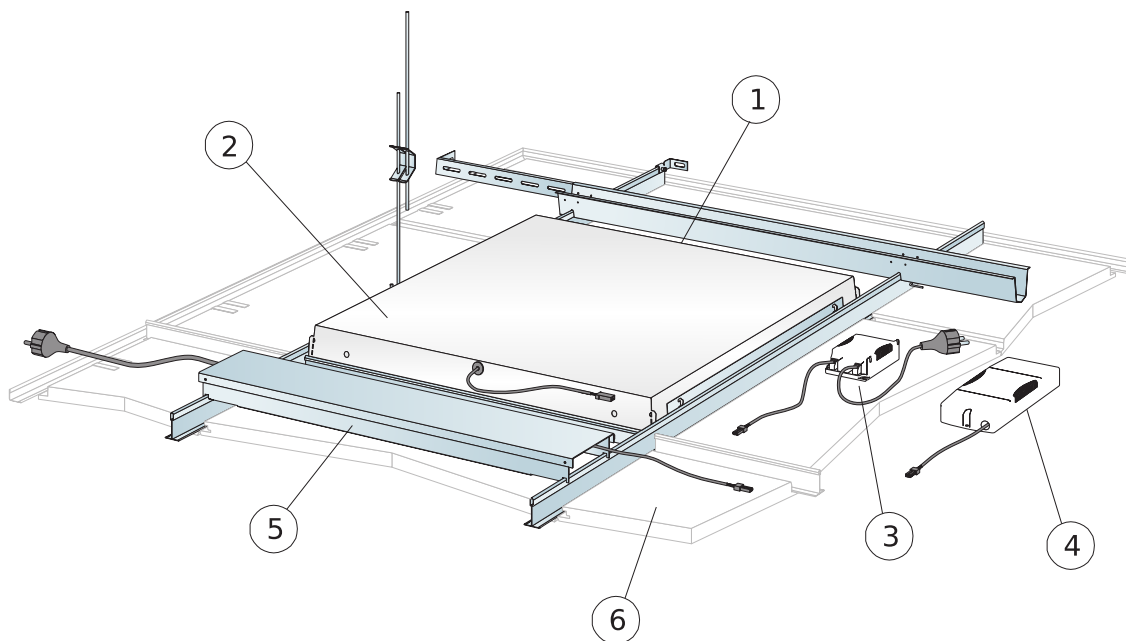
The tiles are easily demountable. Minimum demounting depth according to installation diagrams.



Installation

Installed according to system range which include information regarding minimum overall depth of system. The luminaire housing rests on the T-profiles and the SwitchDIM/DALI and standard on/off ballasts are fastened to the grid or tile with velcro. The tile in which the louvre is integrated is installed as an ordinary ceiling tile. Once the luminaire, ballast and tile are in place a certified installation electrician must connect the wiring to sockets or to the next luminaire.

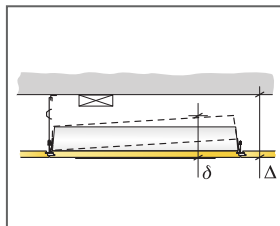
INSTALLATION DIAGRAM (M325) FOR ECOPHON DOT LED DS



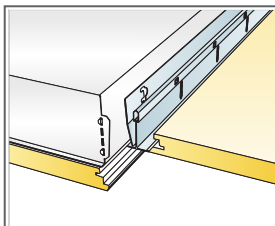
© Ecophon Group

QUANTITY SPECIFICATION (EXCL. WASTAGE)

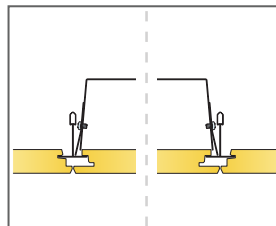
	Size, mm
	600x600
1 Ecophon Dot Ds panel	1/luminaire
2 Ecophon Dot/Square LED housing	1/luminaire
3 Ecophon Dot/Square standard On/Off Ballast (Alt.1)	1/luminaire
4 Ecophon Dot/Square SwitchDIM/DALI Ballast (Alt.2)	1/luminaire
5 Ecophon Dot/Square emergency Ballast, un-switched line (Alt.3)	1/luminaire
6 Focus Ds (adjacent ceiling)	as required
Δ Min. overall depth of system: 90 mm	-
δ Min. demounting depth: 120 mm	-
When selecting standard on/off or emergency ballast, connect only to a toggle power switch. When using the SwitchDIM/DALI ballast connecting the SwitchDIM function, use a spring loaded power switch.	-
When selecting the SwitchDIM/DALI ballast utilizing the DALI function, connect only to a DALI compatible controller.	-



See Quantity specification

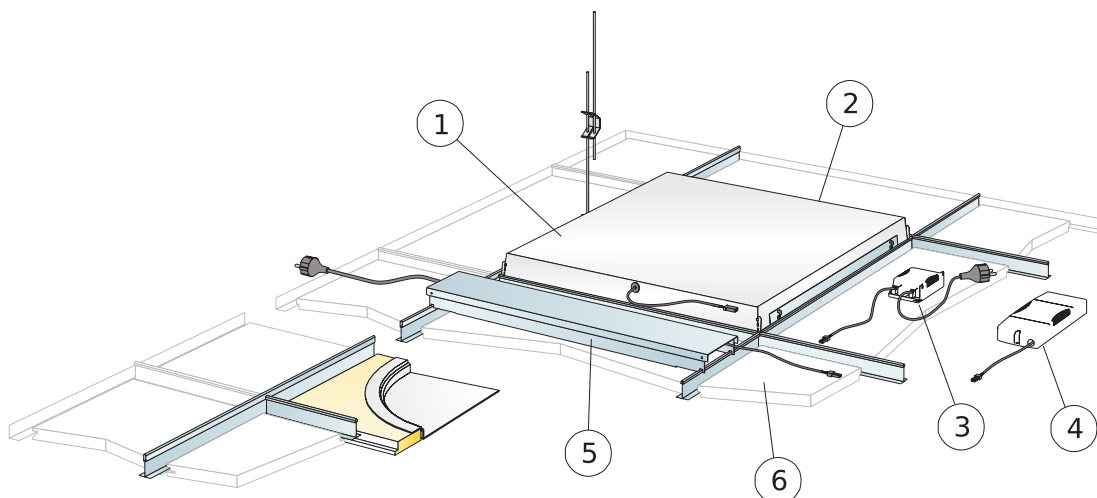


Dot Ds luminaire house resting on main runner



Edge Ds: Luminaire brackets rests on the T-profiles and are mounted in the lower slot.

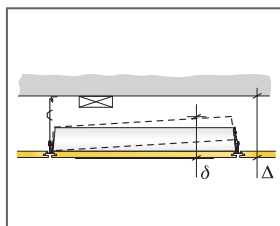
INSTALLATION DIAGRAM (M326) FOR ECOPHON DOT LED DG, E AND EZ



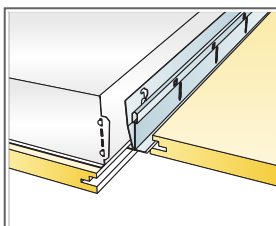
© Ecophon Group

QUANTITY SPECIFICATION (EXCL. WASTAGE)

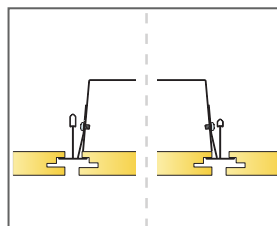
	Size, mm	
	600x600	600x600
1 Ecophon Dot LED Dg, E or Ez T24 panel	1/luminaire	1/luminaire
2 Ecophon Dot/Square LED housing	1/luminaire	1/luminaire
3 Ecophon Dot/Square standard On/Off Ballast (Alt.1)	1/luminaire	1/luminaire
4 Ecophon Dot/Square SwitchDIM/DALI Ballast (Alt.2)	1/luminaire	1/luminaire
5 Ecophon Dot/Square emergency Ballast, un-switched line (Alt.3)	1/luminaire	1/luminaire
6 Focus Dg, E or Ez T24 [adjacent ceiling]	as required	as required
Δ Min. overall depth of system: 90 mm	-	-
δ Min. demounting depth: 120 mm	-	-
When selecting standard on/off or emergency ballast, connect only to a toggle power switch. When using the SwitchDIM/DALI ballast connecting the SwitchDIM function, use a spring loaded power switch.	-	-
When selecting the SwitchDIM/DALI ballast utilizing the DALI function, connect only to a DALI compatible controller.	-	-



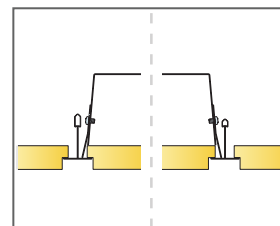
See Quantity specification



Dot Dg luminaire house resting on main runner



Edge Dg: Luminaire brackets rests on the T-profiles and are mounted in the lower slot.



Edge E: Luminaire brackets rests on the T-profiles and are mounted in the middle slot.

Ecophon Line™

Ecophon Line is a fully integrated recessed luminaire, developed for several Focus ceiling systems. A luminaire suitable for various applications; work places for open-plan solutions, walkways or highlighting functional areas. But also for situations like lunch areas or restrooms, conference and meeting areas etc. The high level of output and the fully integrated solution give a distinctive expression to the whole ceiling.

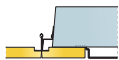
Ecophon Line is available for edge Dg, Ds, E and Lp. Ecophon Line for Focus Lp is available in 150 and 300 mm width and can be used to create a special line for luminaires and achieve a more structured ceiling layout.

Ecophon Line consists of a luminaire housing, a ballast and a matt opal satiné louvre integrated in an Ecophon Focus tile. The newly updated modern LED lightsource is of high quality with high efficiency and long lifespan of over 50.000 hours (L90). Each luminaire weighs approximately 1,5 kg (excl. ballast and tile). The system is patented and has a design registration (Registered Community Design). The available ballasts are available in 3 different variants; standard (on/off), dimmable or with 1 hour emergency function (on/off). The dimmable ballast is ready for SwitchDIM, DALI, DSI and has a corridor function.



Medicover Health Center, Wrocław, Poland

SYSTEM RANGE



Size, mm	1200x150	1200x300	1200x600
T24	•	•	•
Thickness (THK)	20	20	20
Inst. Diag.	M397	M397	M329, M330, M331



Ecophon Line Lp tile



Ecophon Line Lp section



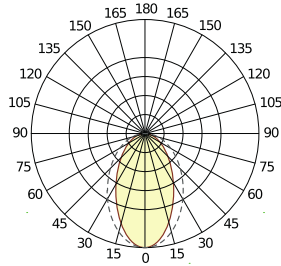
Ecophon Focus Lp system with Ecophon Line.



Ecophon Line LED Lp luminaire.



Lighting performance



System effect: 27,6 W
 Light source: LED 30 W
 Luminous flux: 3008 lm
 Light efficiency: 109 lm/W
 Colour temperature: 4000K
 Colour rendering index: > 80 Ra
 Colour tolerance: 3 MacAdam SDCM
 Light output ratio (LOR): 100%
 Light distribution up/down: 0/100
 Expected lifespan: L90 >50000 h
 Expected lifespan: L70 >100000 h



Electrical data

220-240 V, 50-60 Hz, power factor $\cos \phi > 0,98$. Electronic HF ballast or electronic HF dim ballast for digital regulation. Light source: 1 led module of 30W total. Also available as emergency light, with a battery pack for one hour.



Connection

The standard on/off electronic HF ballast delivered with 2,5 meters of cable 3x0,75 mm² and grounded plug. The SwitchDIM/DALI and emergency electronic HF ballast delivered without cable. Emergency ballast with 1 hour battery pack.



Electrical approvals

IP23, Class 1.



Visual appearance

Tile surface finish; White Frost, nearest NCS colour sample S 0500-N, 85% light reflectance. Gloss < 1.



Cleanability

Daily dusting and vacuum cleaning. Weekly wet wiping.



Accessibility

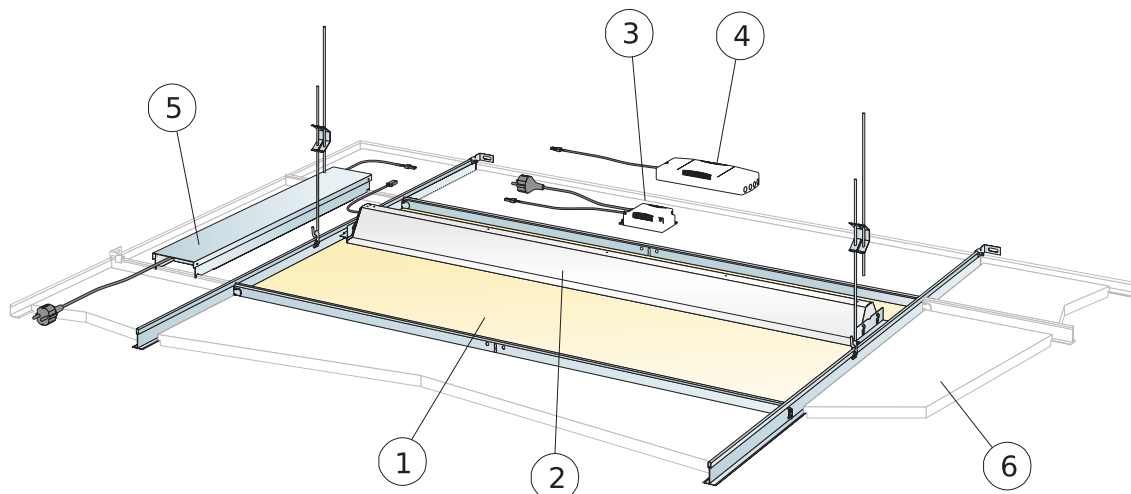
The tiles are easily demountable. Minimum demounting depth according to installation diagrams.



Installation

Installed according to system range which include information regarding minimum overall depth of system. The luminaire housing rests on the T-profiles and the SwitchDIM/DALI and standard on/off ballasts are fastened to the grid or tile with velcro. The tile in which the louvre is integrated is installed as an ordinary ceiling tile. Once the luminaire, ballast and tile are in place a certified installation electrician must connect the wiring to sockets or to the next luminaire.

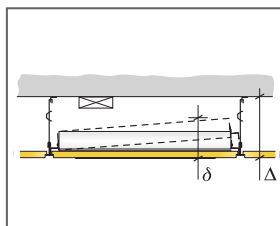
INSTALLATION DIAGRAM (M329) FOR ECOPHON LINE LED E T24



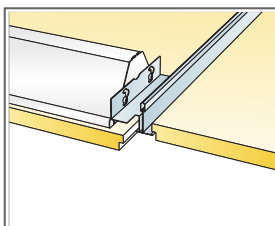
© Ecophon Group

QUANTITY SPECIFICATION (EXCL. WASTAGE)

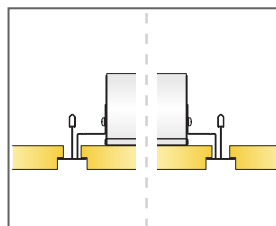
	Size, mm
	1200x600
1 Ecophon Line LED E T24 panel	1/luminaire
2 Ecophon Line LED housing	1/luminaire
3 Ecophon Line standard On/Off Ballast (Alt.1)	1/luminaire
4 Ecophon Line SwitchDIM/DAI Ballast (Alt.2)	1/luminaire
5 Ecophon Line emergency Ballast, un-switched line (Alt.3)	1/luminaire
6 Focus E T24 (adjacent ceiling)	as required
Δ Min. overall depth of system: 90 mm	-
δ Min. demounting depth: 130 mm	-
When selecting standard on/off or emergency ballast, connect only to a toggle power switch. When using the SwitchDIM/DAI ballast connecting the SwitchDIM function, use a spring loaded power switch.	-
When selecting the SwitchDIM/DAI ballast utilizing the DAI function, connect only to a DAI compatible controller.	-



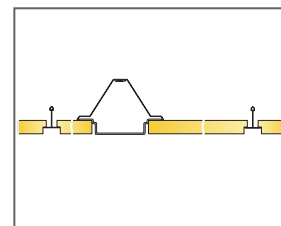
See Quantity specification



Line E luminaire house resting on cross tee

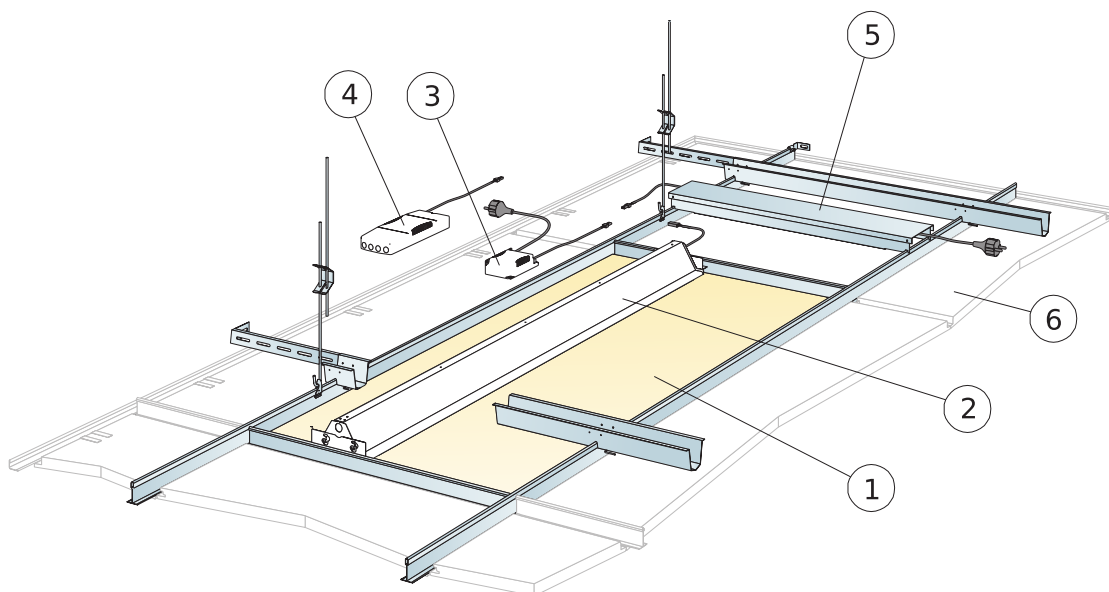


Edge E: Luminaire brackets rests on the T-profiles and are mounted in the middle slot.



Line LED E in a Focus E system.

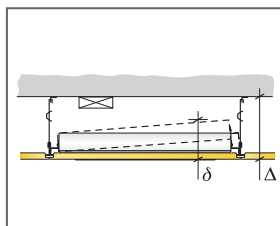
INSTALLATION DIAGRAM (M330) FOR ECOPHON LINE LED DS



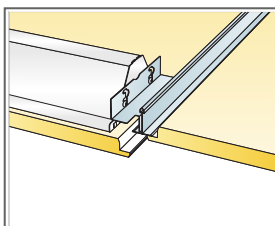
© Ecophon Group

QUANTITY SPECIFICATION (EXCL. WASTAGE)

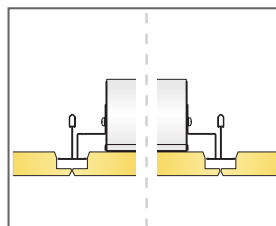
	Size, mm
	1200x600
1 Ecophon Line LED Ds panel	1/luminaire
2 Ecophon Line LED housing	1/luminaire
3 Ecophon Line standard On/Off Ballast (Alt.1)	1/luminaire
4 Ecophon Line SwitchDIM/DALI Ballast (Alt.2)	1/luminaire
5 Ecophon Line emergency Ballast, un-switched line (Alt.3)	1/luminaire
6 Focus Ds (adjacent ceiling)	as required
Δ Min. overall depth of system: 90 mm	-
δ Min. demounting depth: 130 mm	-
When selecting standard on/off or emergency ballast, connect only to a toggle power switch. When using the SwitchDIM/DALI ballast connecting the SwitchDIM function, use a spring loaded power switch.	-
When selecting the SwitchDIM/DALI ballast utilizing the DALI function, connect only to a DALI compatible controller.	-



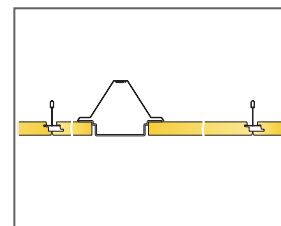
See Quantity specification



Line Ds luminaire house resting on cross tee

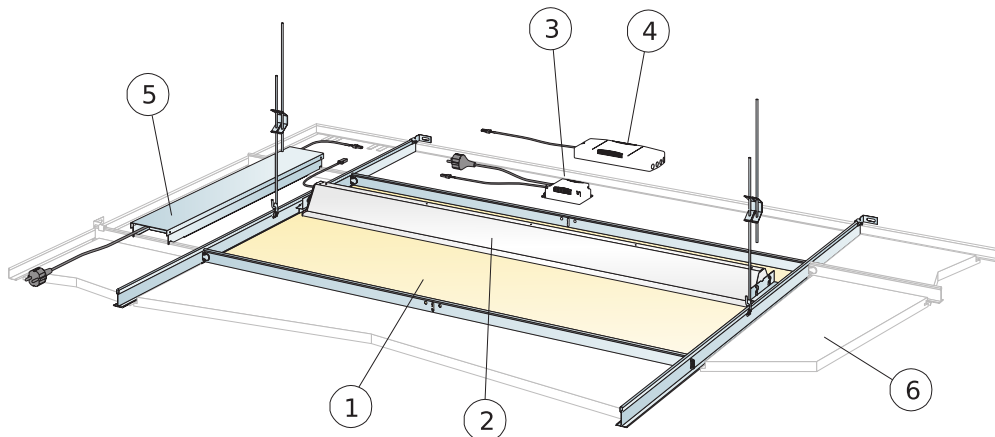


Edge Ds: Luminaire brackets rests on the T-profiles and are mounted in the lower slot.



Line LED Ds in a Focus Ds system.

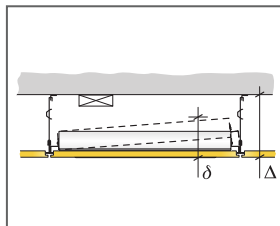
INSTALLATION DIAGRAM (M331) FOR ECOPHON LINE LED DG



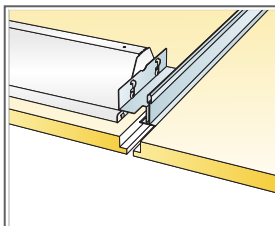
© Ecophon Group

QUANTITY SPECIFICATION (EXCL. WASTAGE)

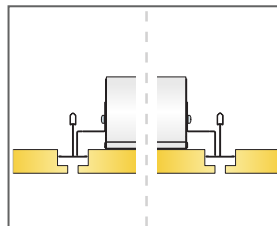
	Size, mm
	1200x600
1 Ecophon Line LED Dg panel	1/luminaire
2 Ecophon Line LED housing	1/luminaire
3 Ecophon Line standard On/Off Ballast (Alt.1)	1/luminaire
4 Ecophon Line SwitchDIM/DAII Ballast (Alt.2)	1/luminaire
5 Ecophon Line emergency Ballast, un-switched line (Alt.3)	1/luminaire
6 Focus Dg (adjacent ceiling)	as required
Δ Min. overall depth of system: 90 mm	-
δ Min. demounting depth: 130 mm	-
When selecting standard on/off or emergency ballast, connect only to a toggle power switch. When using the SwitchDIM/DAII ballast connecting the SwitchDIM function, use a spring loaded power switch.	-
When selecting the SwitchDIM/DAII ballast utilizing the DAII function, connect only to a DAII compatible controller.	-



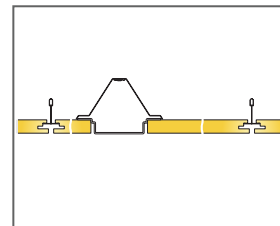
See Quantity specification



Line Dg luminaire house resting on cross tee

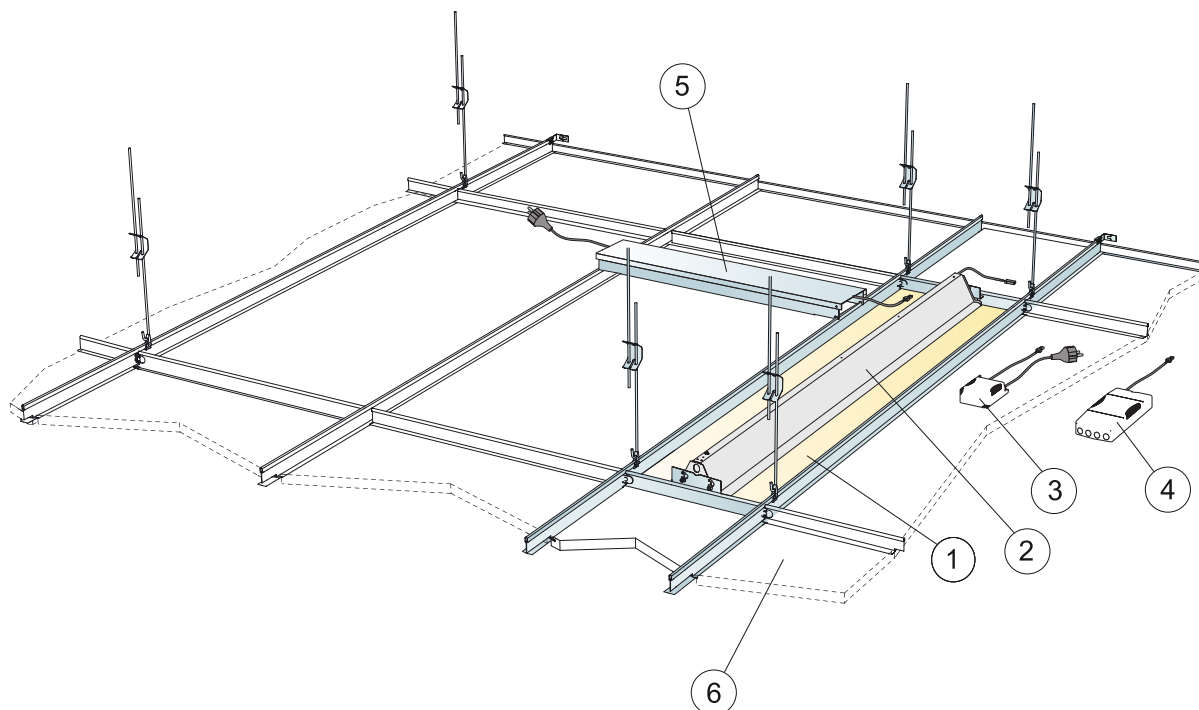


Edge Dg: Luminaire brackets rests on the T-profiles and are mounted in the lower slot.



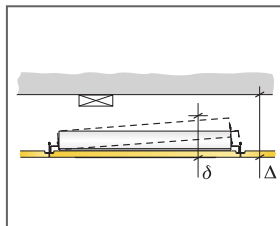
Line LED Dg in a Focus Ds system.

INSTALLATION DIAGRAM (M97) FOR ECOPHON LINE LED LP

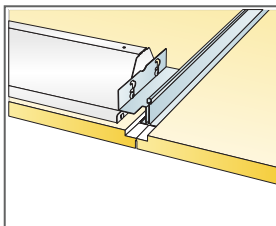


QUANTITY SPECIFICATION (EXCL. WASTAGE)

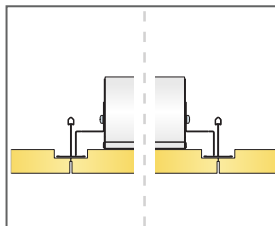
	Size, mm	
	1200x150	1200x300
1 Ecophon Line LED Lp tile	1/luminaire	1/luminaire
2 Ecophon Line LED housing	1/luminaire	1/luminaire
3 Ecophon Line standard On/Off Ballast (Alt.1)	1/luminaire	1/luminaire
4 Ecophon Line SwitchDIM/DALI Ballast (Alt.2)	1/luminaire	1/luminaire
5 Ecophon Line emergency Ballast, un-switched line (Alt.3)	1/luminaire	1/luminaire
6 Focus Lp (adjacent ceiling)	as required	as required
Δ Min. overall depth of system: 90 mm	-	-
δ Min. demounting depth: 130 mm	-	-
When selecting standard on/off or emergency ballast, connect only to a toggle power switch. When using the SwitchDIM/DALI ballast connecting the SwitchDIM function, use a spring loaded power switch.	-	-
When selecting the SwitchDIM/DALI ballast utilizing the DALI function, connect only to a DALI compatible controller.	-	-



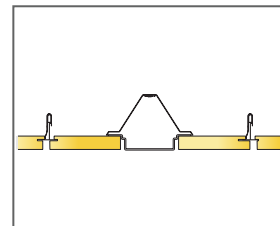
See Quantity specification



Line Lp luminaire house resting on cross tee



Edge Lp: Luminaire brackets rests on the T-profiles and are mounted in the lower slot.



Line LED Lp in a Focus Ds system.

Hygiene Lavanda™ LED

A recessed modular luminaire for use in Ecophon Hygiene ceilings. Hygiene Lavanda LED is equipped with a high frequency ballast, is flush mounted in the ceiling to avoid pockets that could accumulate dirt and dust, and can withstand low pressure washing.

The housing is made of 1,0 mm thick corrosion protected steel sheet in white. The frame is made of anodized extruded aluminium, and is secured to the housing by means of clips. The frame supports a 3 mm thick clear plastic acrylic cover, and is sealed to the grid using a rubber gasket. Weight: 6,5 kg (600x600).



SYSTEM RANGE



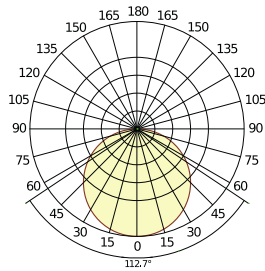
Size, mm	600x600
T24	•
Thickness (THK)	75
Inst. Diag.	M429



Hygiene Lavanda LED



Lighting performance



System effect: 49,8 W
Light source: LED
Luminous flux: 4189 lm
Light efficiency: 84 lm/W
Colour temperature: 4000K
Color rendering index: Ra >80
Colour tolerance: MacAdam 3 SDCM
Light output ratio (LOR): 100%
Light distribution up/down: 0/100
Expected lifespan: L80 >60000 h



Electrical data

230-240V, 50 Hz, power factor $\cos \phi > 0,95$. Electronic HF ballast.



Connection

Delivered without any cables. Can be installed for on/off, SwitchDIM or DALI.



Electrical approvals

IP65, Class 1.



Cleanability

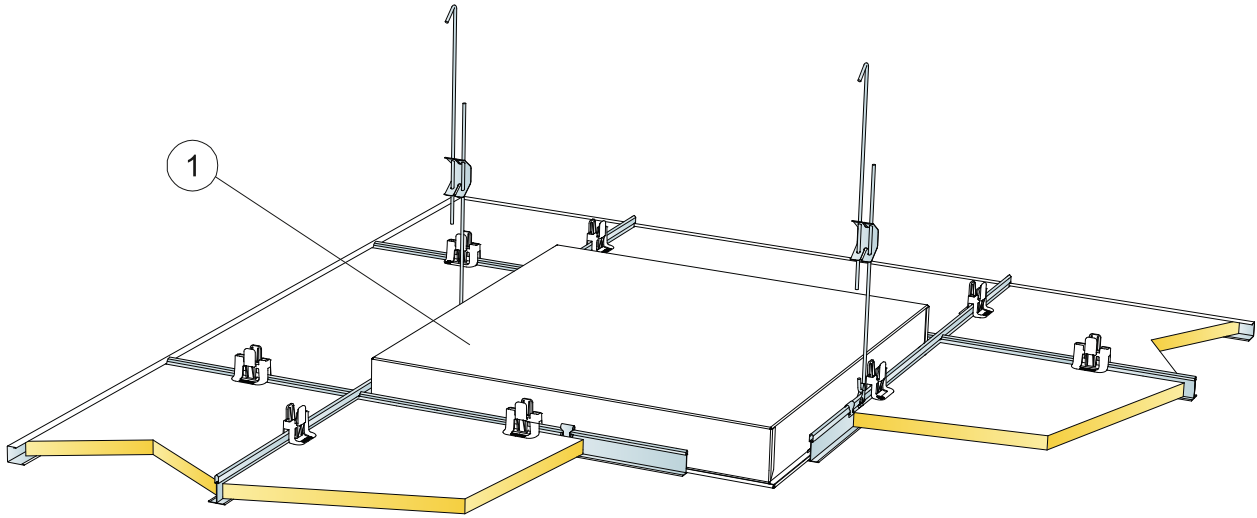
Daily dusting, vacuum cleaning, manual wet cleaning and low-pressure washing. Water temperature max. 70°C. Can withstand the use of common disinfecting chemicals.



Installation

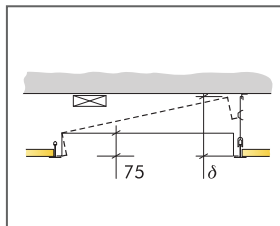
Installed according to installation diagrams, installation guides and drawing aid. For information regarding minimum overall depth of system see quantity specification.

INSTALLATION DIAGRAM (M429) FOR ECOPHON HYGIENE LAVANDA™ LED

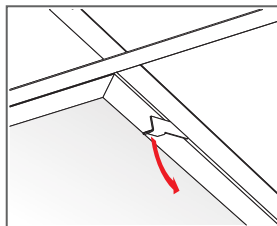


QUANTITY SPECIFICATION (EXCL. WASTAGE)

		Size, mm
		600x600
1	Hygiene Lavanda LED	as required
	δ Min. demounting depth: 300 mm	-



See Quantity Specification



Opening of the frame, which is secured with a snaplock device