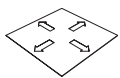


Ecophon Clipso™ So Acoustic

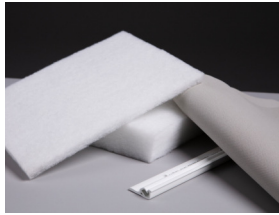
Ecophon Clipso™ So Acoustic 495 D/AC is a micro perforated knit fabric with a uniform coating. Combine a textile cover with an acoustic absorbent to reduce noise levels. The stretched fabric is ideal for all kinds of professional and private spaces.



SYSTEM RANGE



| | | | | |
|-----------------|------------------|------------------|------------------|------------------|
| Size, mm | x2000 | x3000 | x4000 | x5100 |
| Ceiling | • | • | • | • |
| Wall | • | • | • | • |
| Thickness (THK) | 0,4 | 0,4 | 0,4 | 0,4 |
| Inst. Diagr. | M565, M566, M571 | M565, M566, M571 | M565, M566, M571 | M565, M566, M571 |



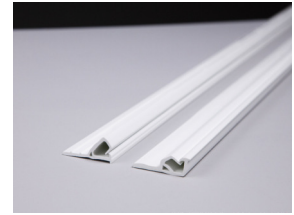
Clipso SO Acoustic system.



Clipso ceiling installation with PCW profile.



Clipso wall installation with PCC profile.



Clipso PCC and PCW profiles.

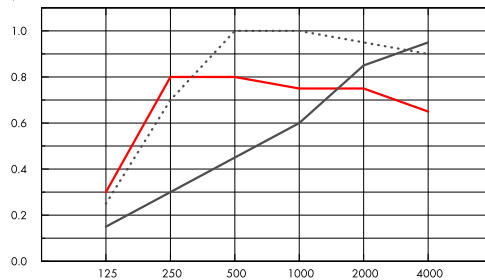
Acoustic



Sound Absorption:

Test results according to EN ISO 354. Classification according to EN ISO 11654.

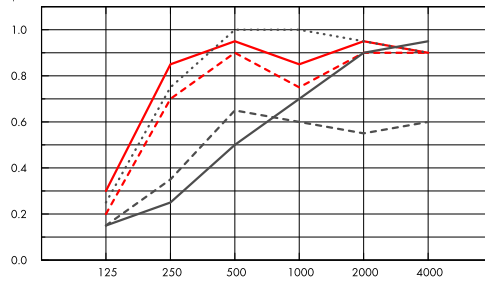
α_p , Practical sound absorption coefficient



- So Acoustic 495AC GW40, 200 mm o.d.s.
 - So Acoustic 495AC LA50, 55mm o.d.s.
 - So Acoustic 495AC LA10, 10mm o.d.s.
- o.d.s = overall depth of system

Frequency Hz

α_p , Practical sound absorption coefficient



- So Acoustic 495D GW40, 200 mm o.d.s.
 - - - So Acoustic 495D GW20, 200 mm o.d.s.
 - - - So Acoustic 495D no absorber, 155mm o.d.s.
 - So Acoustic 495D LA50, 55mm o.d.s.
 - So Acoustic 495D LA10, 10mm o.d.s.
- o.d.s = overall depth of system

Frequency Hz

| | THK mm | o.d.s. mm | α_p , Practical sound absorption coefficient | | | | | | α_w | Sound absorption class |
|------------|-----------|-----------|---|--------|--------|---------|---------|---------|------------|------------------------|
| | | | 125 Hz | 250 Hz | 500 Hz | 1000 Hz | 2000 Hz | 4000 Hz | | |
| 495AC GW40 | 40 | 200 | 0.30 | 0.80 | 0.80 | 0.75 | 0.75 | 0.65 | 0.75 | C |
| 495AC LA50 | 50 | 55 | 0.25 | 0.70 | 1.00 | 1.00 | 0.95 | 0.90 | 0.95 | A |
| 495AC LA10 | 10 | 10 | 0.15 | 0.30 | 0.45 | 0.60 | 0.85 | 0.95 | 0.50 | D |
| 495D GW40 | 40 | 200 | 0.30 | 0.85 | 0.95 | 0.85 | 0.95 | 0.90 | 0.95 | A |
| 495D GW20 | 20 | 200 | 0.20 | 0.70 | 0.90 | 0.75 | 0.90 | 0.90 | 0.85 | B |
| 495D | 0 | 155 | 0.15 | 0.35 | 0.65 | 0.60 | 0.55 | 0.60 | 0.60 | C |
| 495D LA50 | 50 | 55 | 0.25 | 0.75 | 1.00 | 1.00 | 0.95 | 0.90 | 1.00 | A |
| 495D LA10 | 10 | 10 | 0.15 | 0.25 | 0.50 | 0.70 | 0.90 | 0.95 | 0.50 | D |

Indoor Air Quality



Certificate / Label

Eurofins Indoor Air Comfort® IAC Gold

French VOC A+

Greenguard Gold





Fire safety

| Country | Standard | Class |
|-------------------------------------|--|------------------------|
| Europe | EN 13501-1 | B-s1,d0 |
| International Maritime Organisation | Resolutions MSC.307(88) and MSC.61(67) | Modules B and D (495D) |



Humidity Resistance

| Property | Standard | Performance |
|--|---------------------------|---|
| Dimensional stability under the action of humidity | EN 14716 (appendix C) | 0% (MD), 0% (CMD) (495D) |
| Dimensional stability under the action of heat | EN 12280-1 (30 min, 60°C) | 0% (MD), 0% (CMD) (495D, 495AC) |
| Water vapour transmission rate | ISO 2528 (38°C, 90% RH) | 1901 g/m ² (495D) 2104 g/m ² (495AC) |



Visual appearance

Matt, smooth and uniform. 495D White, nearest colour sample RAL 9016.



Cleanability

Use of Clipso Cleaning Kit recommended. Alternatively, other pH-neutral cleaning agents can be used with a soft cloth, provided it has first been tested on a scrap piece or on a non-visible area of the fabric.



Mould and Bacterial Resistance

| Standard/Method | |
|-----------------|---|
| ISO 846 A | 0 |
| ISO 846 C | 0 |



Accessibility

The system supports installation of inspection hatches.



Installation

Installed with Clipso profiles according to installation diagrams and drawing aid.



System weight

495D: Area weight 230 g/m² ± 10% (ISO 2286-2). 495AC: Area weight 250 g/m² ± 10% (ISO 2286-2).



Mechanical properties

| Property | Standard/Method | Performance |
|------------------|-----------------|--|
| Tensile strength | ISO 1421 | 30 daN/5 cm (MD), 54 daN/5 cm (CMD) (495D) 29 daN/5 cm (MD), 107 daN/5 cm (CMD) (495AC) |
| Tear strength | EN 1875-3 | 8.9 daN (MD), 15.9 daN (CMD) (495D) 10.8 daN (MD), 17.7 daN (CMD) (495AC) |

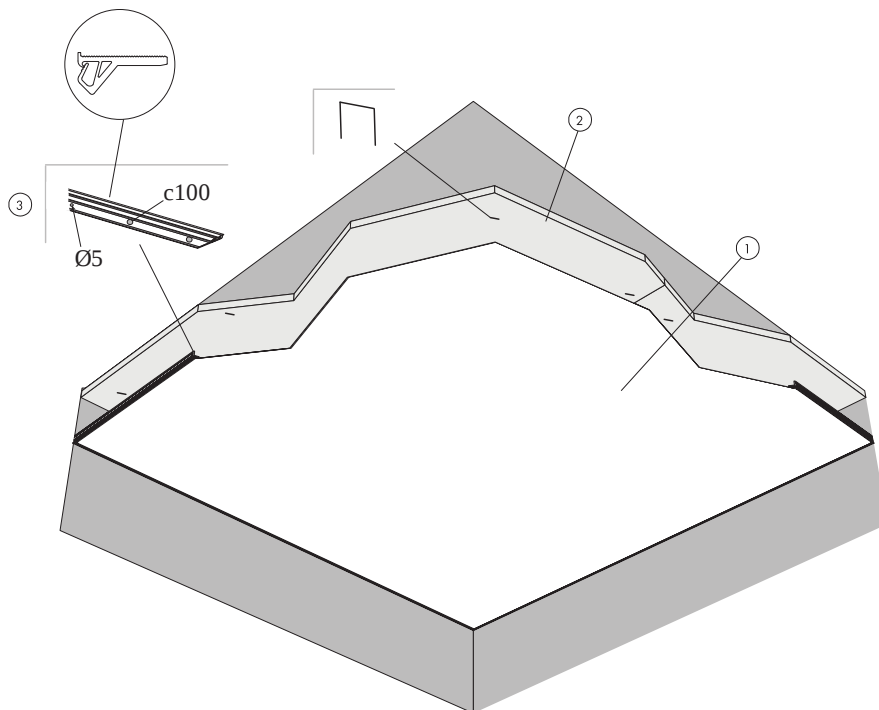
Additional load (lighting, ventilation, etc.) should be hung directly from the soffit.



CE

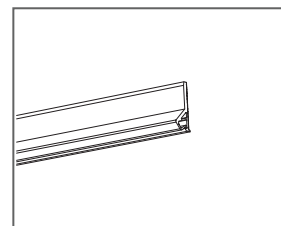
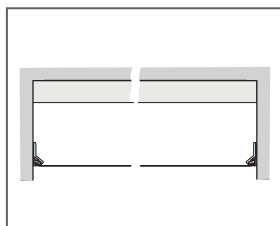
Clipso technical fabrics are CE-marked according to the European harmonized standard EN14716:2005. CE marked construction products are covered by a Declaration of Performance (DOP) which enables customers and users to easily compare performance of products available on the European market.

INSTALLATION DIAGRAM (M571) FOR CLIPSO SO ACOUSTIC WITH ACOUSTIC ABSORBERS, CEILING APPLICATION WITH PCW PROFILES

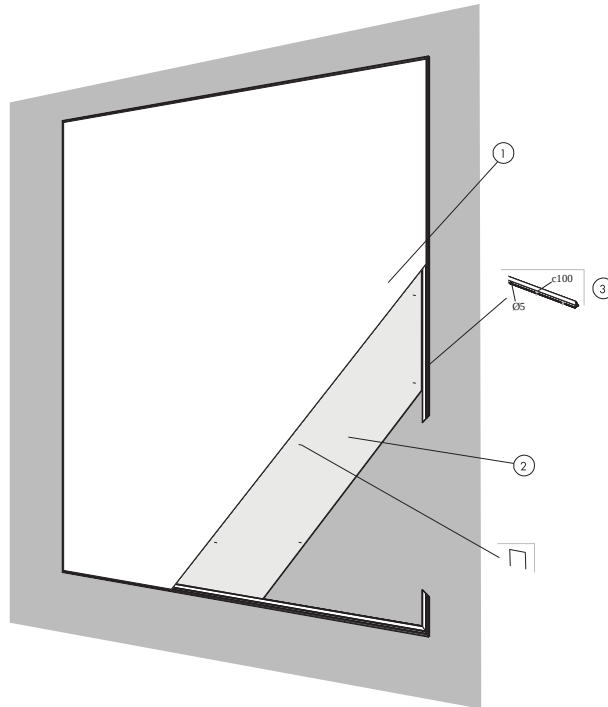


QUANTITY SPECIFICATION (EXCL. WASTAGE)

| | Size, mm | | | |
|---|-------------|-------------|-------------|-------------|
| | x2000 | x3000 | x4000 | x5100 |
| 1 Clipso 495D, 495AC technical fabrics | as required | as required | as required | as required |
| 2 Alt 1 - Acoustic absorbers for Clipso technical fabrics (glass wool) | as required | as required | as required | as required |
| Alt 2 - Acoustic absorbers for Clipso technical fabrics (polyester fiber) | as required | as required | as required | as required |
| 3 Clipso PCW profiles | as required | as required | as required | as required |
| Installation and maintenance accessories for Clipso technical fabrics | - | - | - | - |



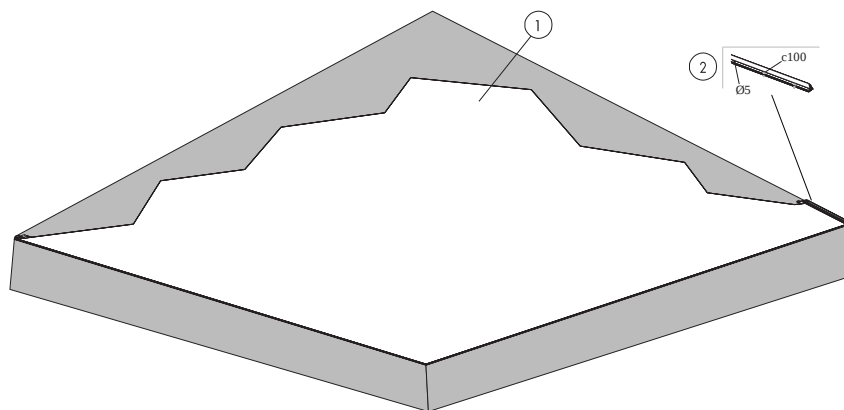
INSTALLATION DIAGRAM (M566) FOR CLIPSO SO ACOUSTIC, WALL APPLICATION WITH PCC PROFILES



QUANTITY SPECIFICATION (EXCL. WASTAGE)

| | Size, mm | | | |
|---|-------------|-------------|-------------|-------------|
| | x2000 | x3000 | x4000 | x5100 |
| 1 Clipso 495D, 495AC technical fabrics | as required | as required | as required | as required |
| 2 Wall absorbers for Clipso technical fabrics | as required | as required | as required | as required |
| 3 Clipso PCC profiles | as required | as required | as required | as required |
| Installation and maintenance accessories for Clipso technical fabrics | - | - | - | - |

INSTALLATION DIAGRAM (M571) FOR CLIPSO SO ACOUSTIC, CEILING APPLICATION WITH PCC PROFILES



QUANTITY SPECIFICATION (EXCL. WASTAGE)

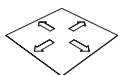
| | Size, mm | | | |
|---|-------------|-------------|-------------|-------------|
| | x2000 | x3000 | x4000 | x5100 |
| 1 Clipso 495D, 495AC technical fabrics | as required | as required | as required | as required |
| 2 Clipso PCC profiles | as required | as required | as required | as required |
| Installation and maintenance accessories for Clipso technical fabrics | - | - | - | - |

Ecophon Clipso™ So Classic

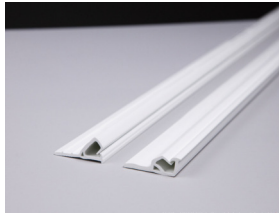
Ecophon Clipso™ So Classic 705 S is a textile fabric with a uniform coating and a timeless, neutral elegance. Clipso So Classic 705 S has a wide range of applications and is suitable for both residential and non-residential areas.



SYSTEM RANGE



| Size, mm | x1500 | x2000 | x2500 | x3000 | x3500 | x4000 | x4500 | x5100 |
|-----------------|------------------|------------------|------------------|------------------|------------------|------------------|------------------|------------------|
| Ceiling | • | • | • | • | • | • | • | • |
| Wall | • | • | • | • | • | • | • | • |
| Thickness (THK) | 0,3 | 0,3 | 0,3 | 0,3 | 0,3 | 0,3 | 0,3 | 0,3 |
| Inst. Diagr. | M569, M570, M572 | M569, M570, M572 | M569, M570, M572 | M569, M570, M572 | M569, M570, M572 | M569, M570, M572 | M569, M570, M572 | M569, M570, M572 |



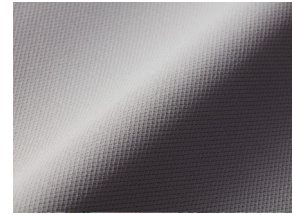
Clipso PCC and PCW profiles.



Clipso ceiling installation with PCW profile.



Clipso wall installation with PCC profile.



Clipso technical fabric.



Indoor Air Quality

| Certificate / Label | |
|------------------------------|----------|
| Eurofins Indoor Air Comfort® | IAC Gold |
| French VOC | A+ |
| Greenguard | Gold |



Fire safety

| Country | | |
|-------------------------------------|--|-----------------|
| Europe | EN 13501-1 | B-s1,d0 |
| International Maritime Organisation | Resolutions MSC.307(88) and MSC.61(67) | Modules B and D |



Humidity Resistance

| Property | Standard/Method | Performance |
|--|---------------------------|-------------------|
| Dimensional stability under the action of humidity | EN 14716 (appendix C) | 0% (MD), 0% (CMD) |
| Dimensional stability under the action of heat | EN 12280-1 (30 min, 60°C) | 0% (MD), 0% (CMD) |
| Water vapour transmission rate | ISO 2528 (38°C, 90% RH) | 1184 g/m² |



Visual appearance

Matt, smooth and uniform. Optical white, nearest colour sample RAL 9016.



Cleanability

Use of Clipso Cleaning Kit recommended. Alternatively, other pH-neutral cleaning agents can be used with a soft cloth, provided it has first been tested on a scrap piece or on a non-visible area of the fabric.



Mould and Bacterial Resistance

| Standard/Method | |
|-----------------|---|
| ISO 846 A | 0 |
| ISO 846 C | 0 |



Accessibility

The system supports installation of inspection hatches.



Installation

Installed with Clipso profiles according to installation diagrams and drawing aid.



System weight

The weight of the fabric is approximately 245 g/m².



Mechanical properties

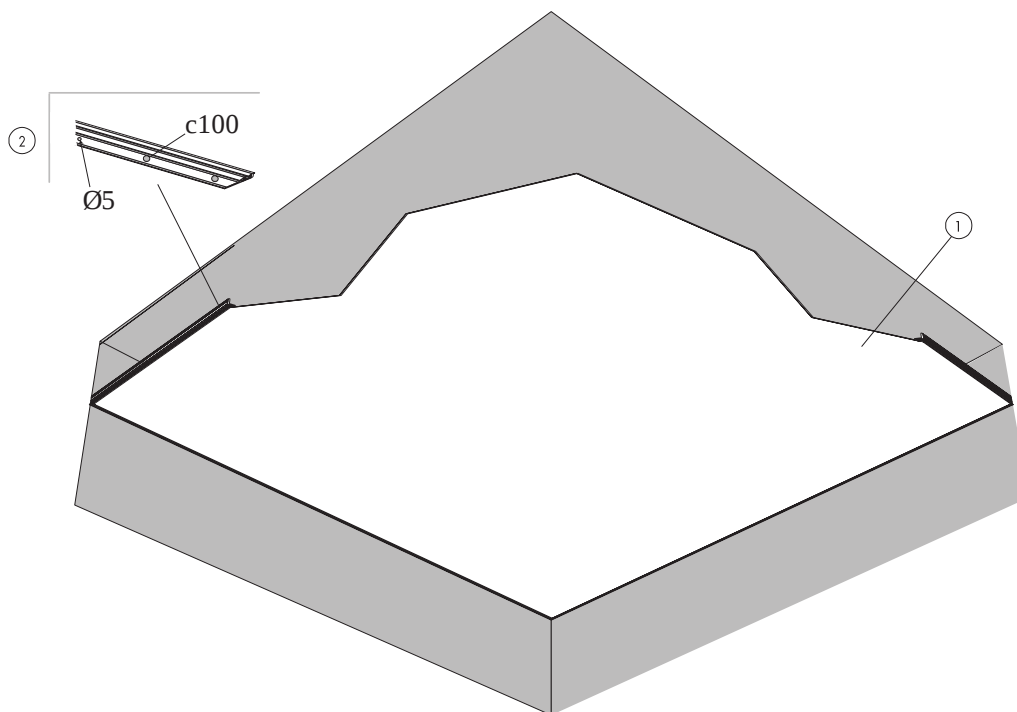
| Property | Standard/Method | Performance |
|------------------|-----------------|-------------------------------------|
| Tensile strength | ISO 1421 | 28 daN/5 cm (MD), 62 daN/5 cm (CMD) |
| Tear strength | EN 1875-3 | 3.7 daN (MD), 6.0 daN (CMD) |

Additional load (lighting, ventilation, etc.) should be hung directly from the soffit.



CE

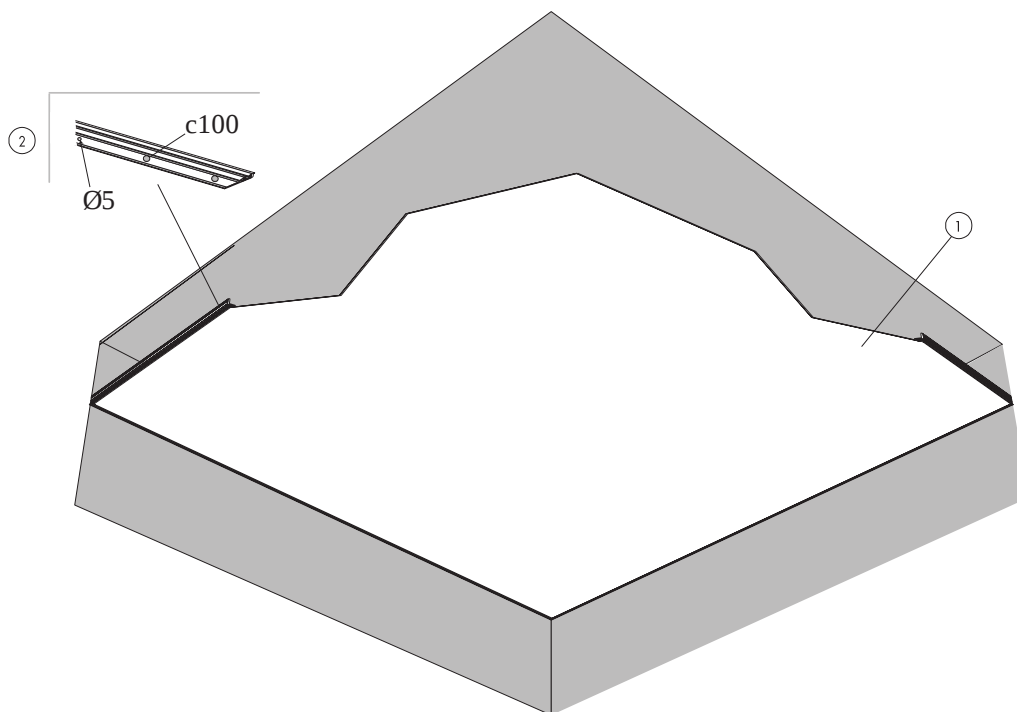
Clipso technical fabrics are CE-marked according to the European harmonized standard EN14716:2005. CE marked construction products are covered by a Declaration of Performance (DOP) which enables customers and users to easily compare performance of products available on the European market.



QUANTITY SPECIFICATION (EXCL. WASTAGE)

| | Size, mm | | | |
|---|-------------|-------------|-------------|-------------|
| | x1500 | x2000 | x2500 | x3000 |
| 1 Clipso 705S technical fabric | as required | as required | as required | as required |
| 2 Clipso PCW profiles | as required | as required | as required | as required |
| Installation and maintenance accessories for Clipso technical fabrics | - | - | - | - |

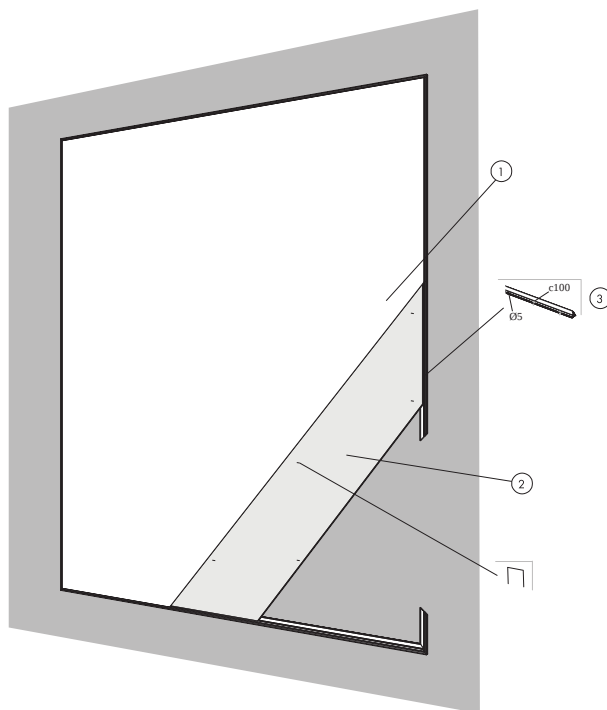
INSTALLATION DIAGRAM (M569) FOR CLIPSO SO CLASSIC, CEILING APPLICATION WITH PCW PROFILES



QUANTITY SPECIFICATION (EXCL. WASTAGE)

| | Size, mm | | | |
|---|-------------|-------------|-------------|-------------|
| | x3500 | x4000 | x4500 | x5100 |
| 1 Clipso 705S technical fabric | as required | as required | as required | as required |
| 2 Clipso PCW profiles | as required | as required | as required | as required |
| Installation and maintenance accessories for Clipso technical fabrics | - | - | - | - |

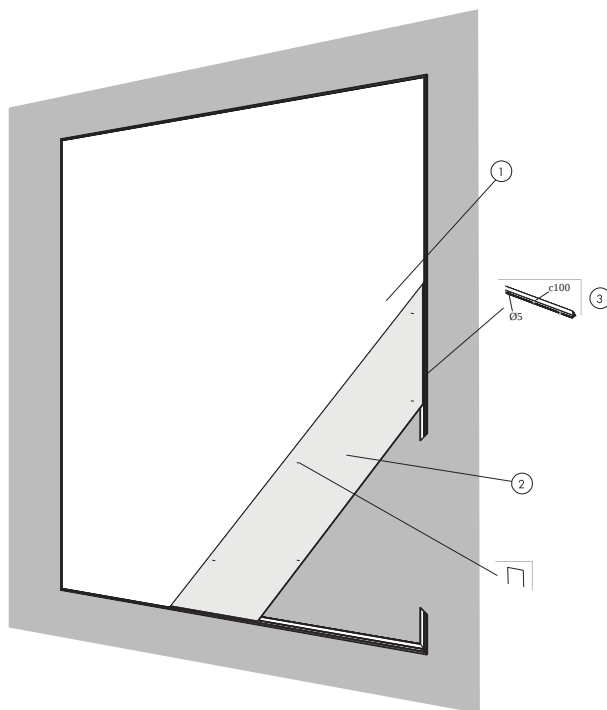
INSTALLATION DIAGRAM (M570) FOR CLIPSO SO CLASSIC, WALL APPLICATION



QUANTITY SPECIFICATION (EXCL. WASTAGE)

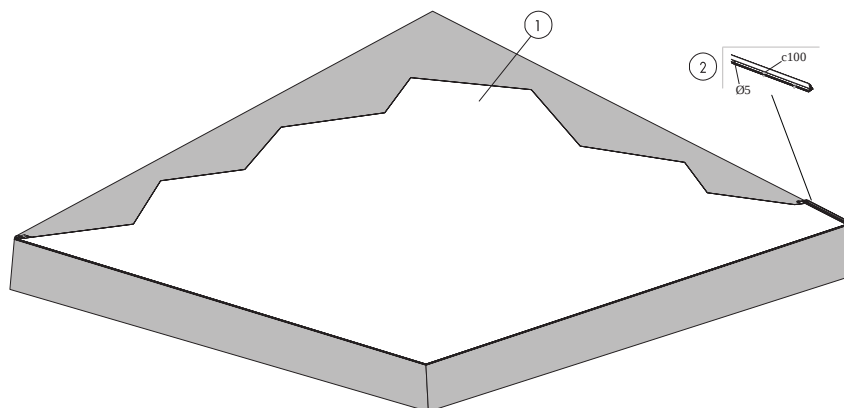
| | Size, mm | | | |
|---|-------------|-------------|-------------|-------------|
| | x1500 | x2000 | x2500 | x3000 |
| 1 Clipso 705S technical fabric | as required | as required | as required | as required |
| 2 Wall absorbers for Clipso technical fabrics | as required | as required | as required | as required |
| 3 Clipso PCC profiles | as required | as required | as required | as required |
| Installation and maintenance accessories for Clipso technical fabrics | - | - | - | - |

INSTALLATION DIAGRAM (M570) FOR CLIPSO SO CLASSIC, WALL APPLICATION



QUANTITY SPECIFICATION (EXCL. WASTAGE)

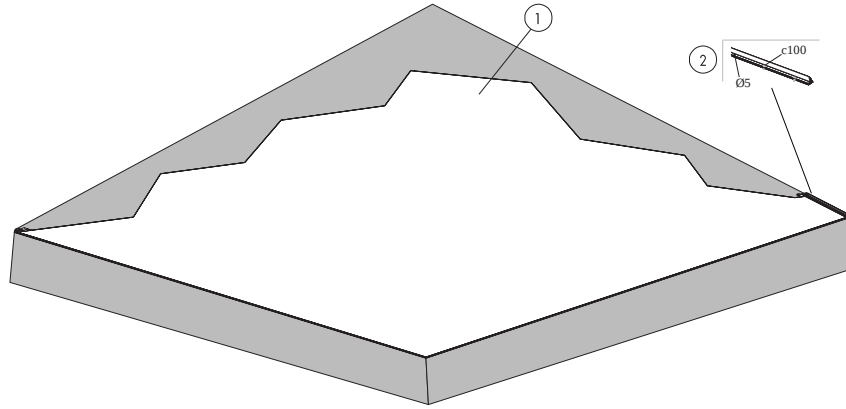
| | Size, mm | | | |
|---|-------------|-------------|-------------|-------------|
| | x3500 | x4000 | x4500 | x5100 |
| 1 Clipso 705S technical fabric | as required | as required | as required | as required |
| 2 Wall absorbers for Clipso technical fabrics | as required | as required | as required | as required |
| 3 Clipso PCC profiles | as required | as required | as required | as required |
| Installation and maintenance accessories for Clipso technical fabrics | - | - | - | - |



QUANTITY SPECIFICATION (EXCL. WASTAGE)

| | Size, mm | | | |
|---|-------------|-------------|-------------|-------------|
| | x1500 | x2000 | x2500 | x3000 |
| 1 Clipso 705S technical fabric | as required | as required | as required | as required |
| 2 Clipso PCC profiles | as required | as required | as required | as required |
| Installation and maintenance accessories for Clipso technical fabrics | - | - | - | - |

INSTALLATION DIAGRAM (M572) FOR CLIPSO SO CLASSIC, CEILING APPLICATION WITH PCC PROFILES



QUANTITY SPECIFICATION (EXCL. WASTAGE)

| | Size, mm | | | |
|---|-------------|-------------|-------------|-------------|
| | x3500 | x4000 | x4500 | x5100 |
| 1 Clipso 705S technical fabric | as required | as required | as required | as required |
| 2 Clipso PCC profiles | as required | as required | as required | as required |
| Installation and maintenance accessories for Clipso technical fabrics | - | - | - | - |